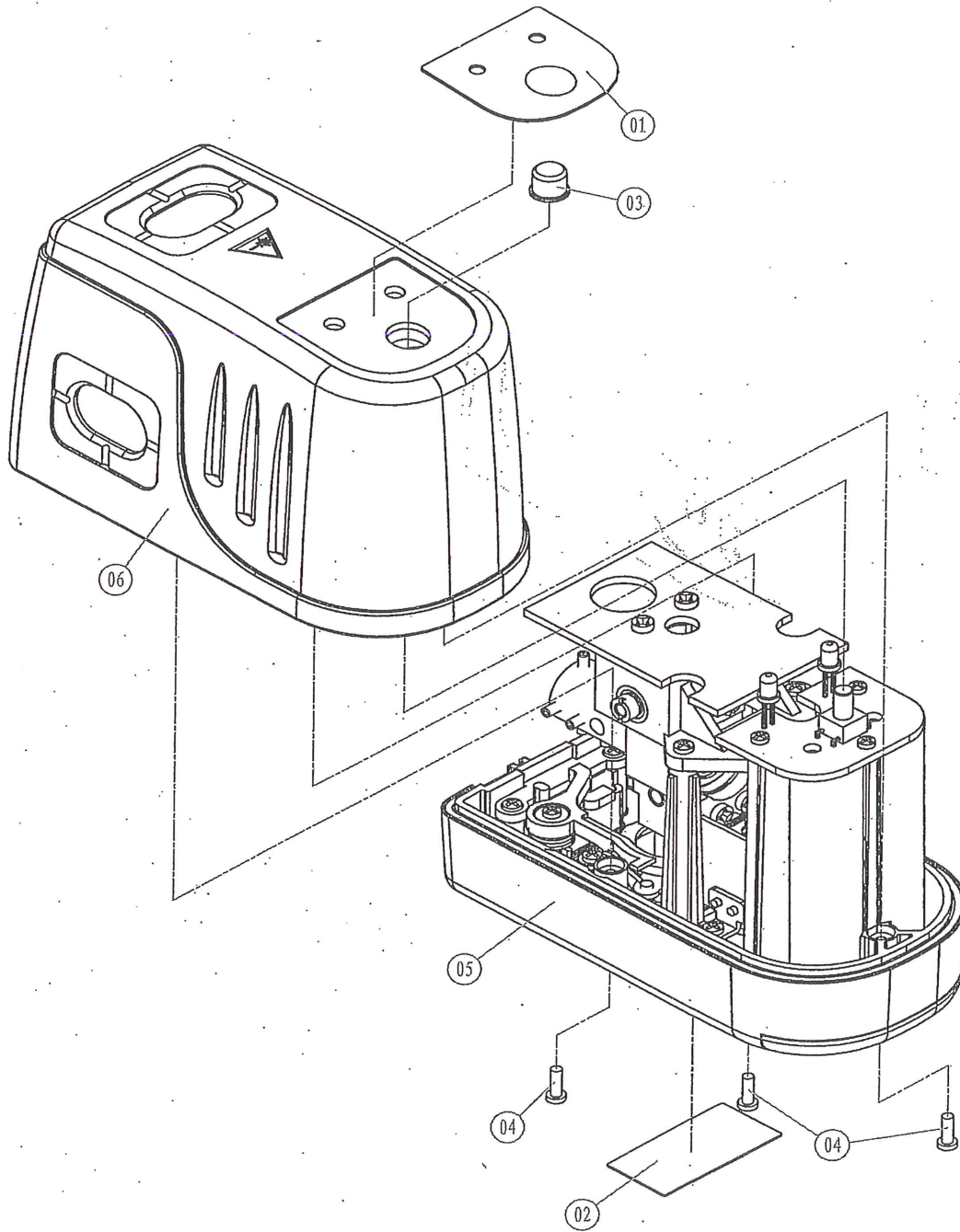


896 - EXPLODED VIEW

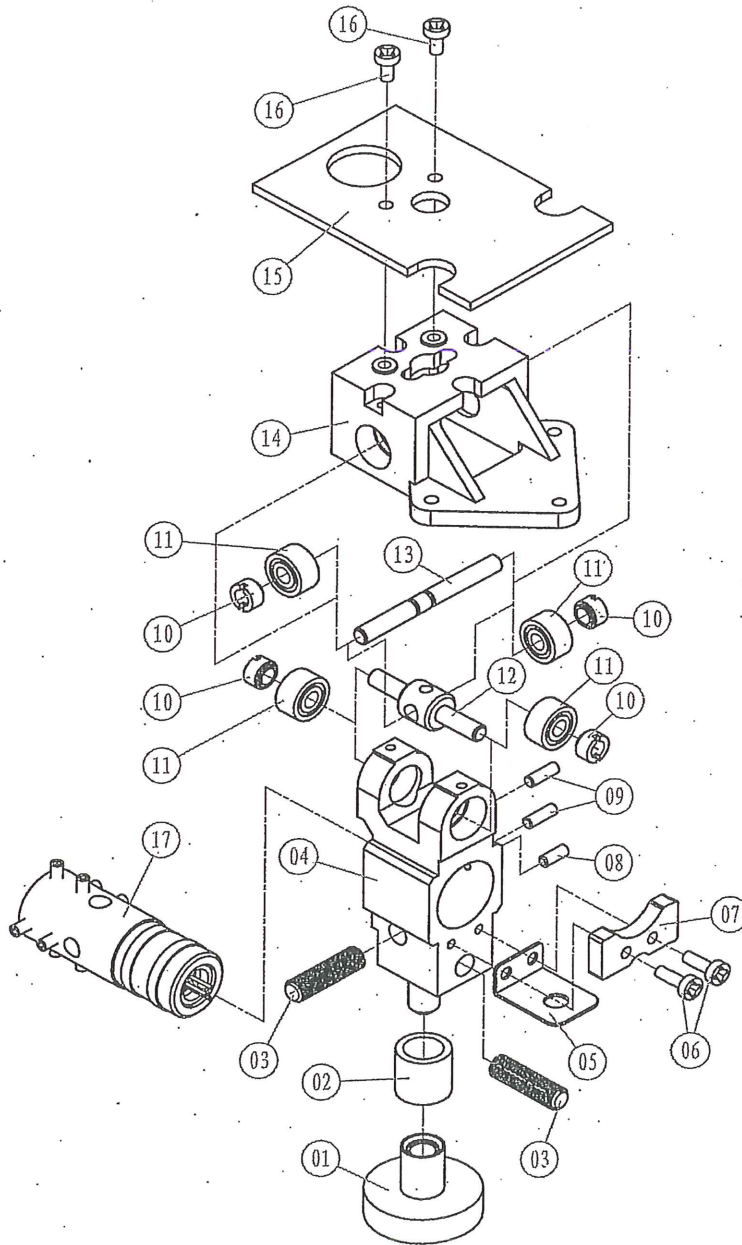
Page 1- of 5



Part #	Part code	Description	Quantity	Part #	Part code	Description	Quantity
1	LP105.000.001	Keypad	1	4		Screw M2X6	3
2	LP105.000.002	Sticker	1	5	LP105.200.000	Bottom base	1
3		Switch Cap	1	6	LP105.300.000	Top cover	1

896 - EXPLODED VIEW

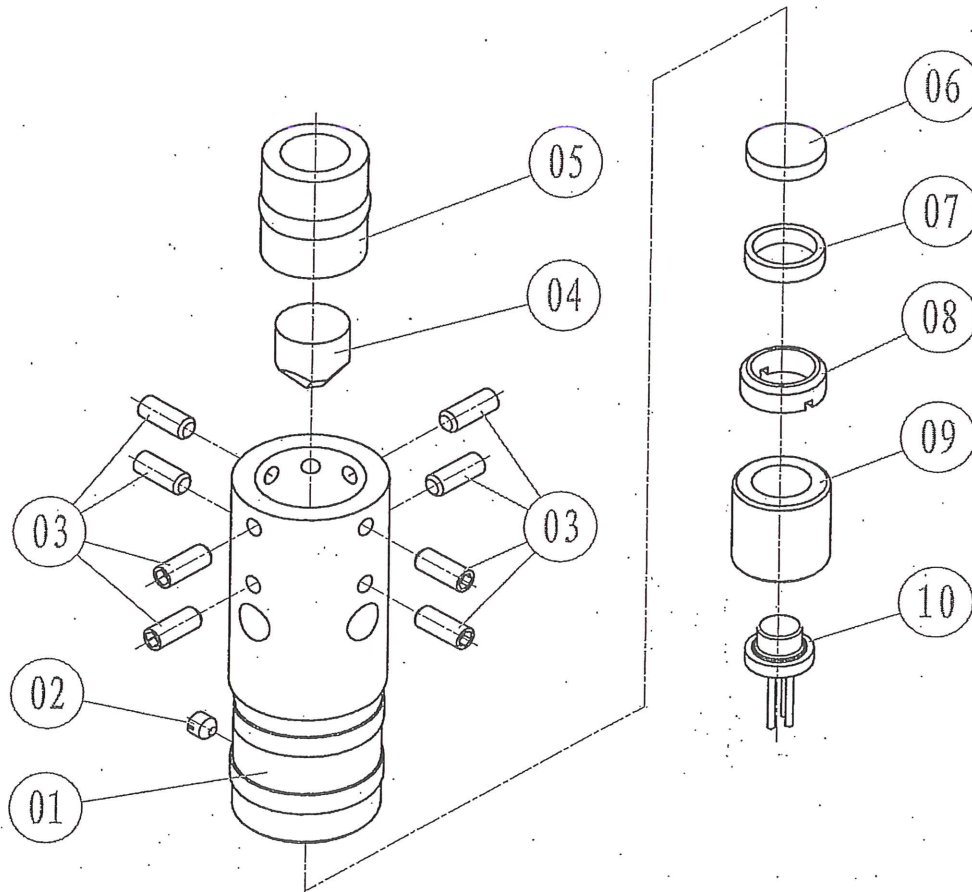
Page 2- of 5



Part #	Part code	Description	Quantity	Part #	Part code	Description	Quantity
1	LP105.100.004	Copper whight	1	10	LP102.100.004A	locking nut	4
2	SP103.100.015	plastic ring	1	11		Bearing	4
3	LP102.100.006	Adjusting screws (M4)	2	12	LP105.100.003	Small shaft	1
4	LP105.100.002	Pandulum Body	1	13	LP102.110.002A	shaft	1
5	LP105.100.005	Copper Bracket	1	14	LP105.100.001	Gimbal Body	1
6	GB/T13806.1- 92	Screw 2X6	2	15	LP105.120.000	Main scircuit board	1
7	LP102.100.016	Weight piece	3	16	GB/T13806.1- 92	Screw 2X4	2
8	GB/T77	Screw 2X4	1	17	LP105.110.000	Module splitter	1
9	GB/T77	Screw 2X6	2				

896 - EXPLODED VIEW

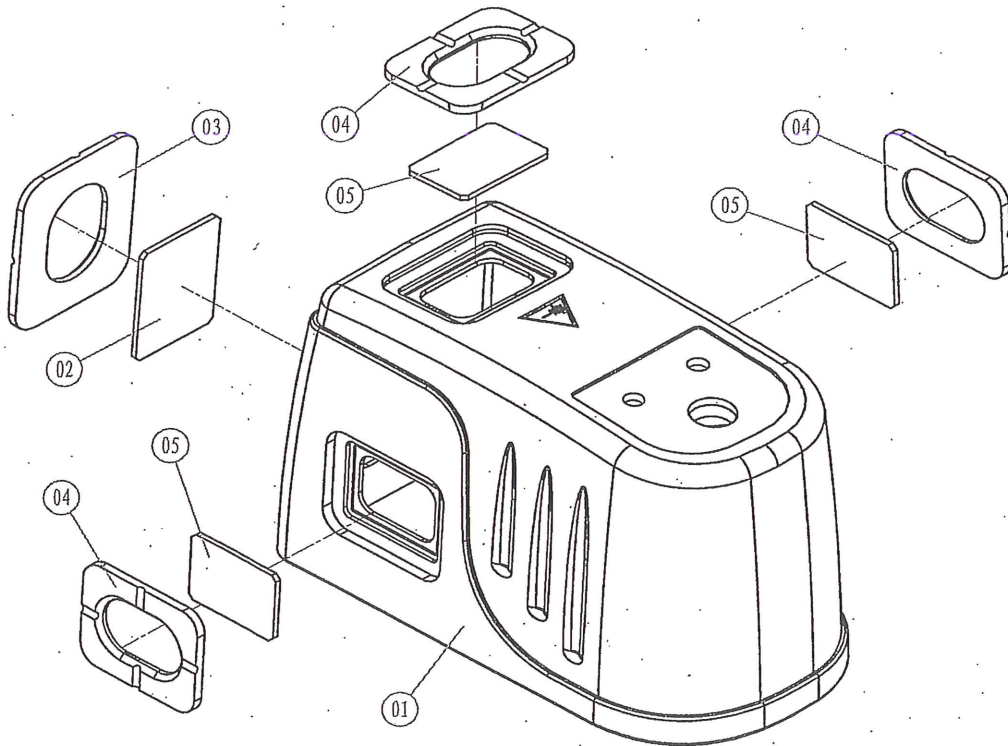
Page 3- of 5



Part #	Part code	Description	Quantity	Part #	Part code	Description	Quantity
1	LP105.110.001	lasers body tube	1	6		Lens	1
2	GB/T71	Screw M2X4	1	7	SP103.110.007	ring	1
3	GB/T77	Screw M2X4	8	8	LP102.120.006	locking ring	1
4	LS3000.100.009	pentagon beam Splitter	1	9	LP102.120.003	diode cover	1
5	LP105.110.002	Beam splitter bracket	1	10		laser diode	1

896 - EXPLODED VIEW

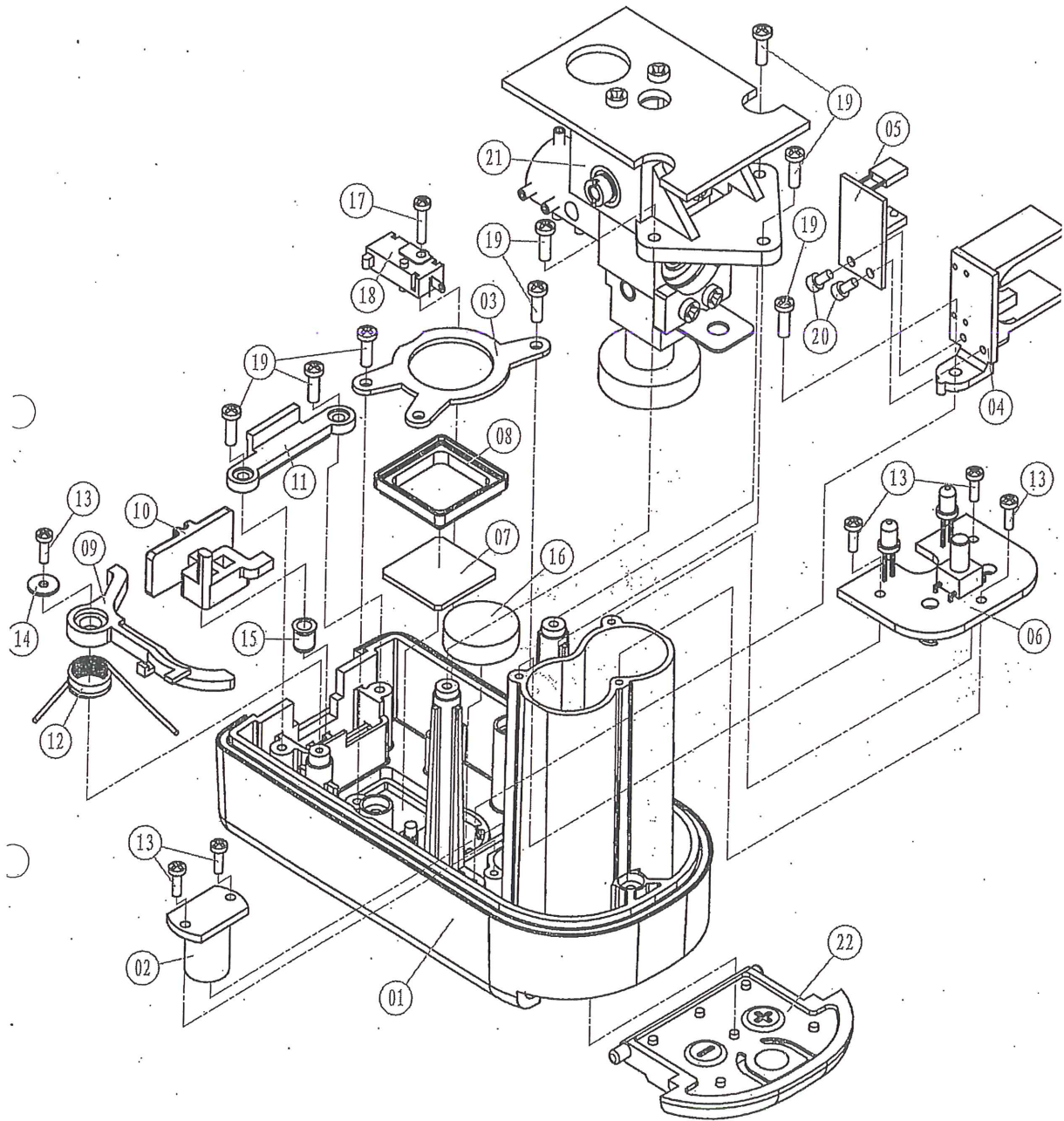
Page 4- of 5



Part #	Part code	Description	Quantity	Part #	Part code	Description	Quantity
1	LP105.300.001	Top cover	1	4	LP105.300.004	Window cover	3
2	LP105.300.002	Front window glass	1	5	LP105.300.005	Window glass	3
3	LPL105.300.003	Front window cover	1				

896 - EXPLODED VIEW

Page 5 - of 5



Part #	Part code	Description	Quantity	Part #	Part code	Description	Quantity
1	LP105.200.001	Bottom base	1	12	LP105.200.010	Spring	1
2	LP105.200.002	1/4" nut	1	13		Screw M1.6X3X4	6
3	LP105.200.003	locking plate	1	14	DIY104.200.007	Washer	1
4	LP105.200.004	Bracket	1	15		DIY104	1
5	LP105.220.000	optical coupler board	1	16	TR360.210.003	Magnet TR360	1
6	LP105.230.000	Battery con. Board	1	17	LP105.200.001	Screw M1.6X3X8	1
7	LP105.200.005	Bottom window	1	18		locking switch	1
8	LP105.200.006	Bottom window cover	1	19		Screw 2X6	8
9	LP105.200.007	Locking lever	1	20	GB/T13806.1- 92	Screw M1.6X2.5	2
10	LP105.200.008	off/on locker	1	21	LP105.100.000	Pandulum	1
11	LP105.200.009	Fixing bracket	1	22	PL105.210.000	Battery cover	1